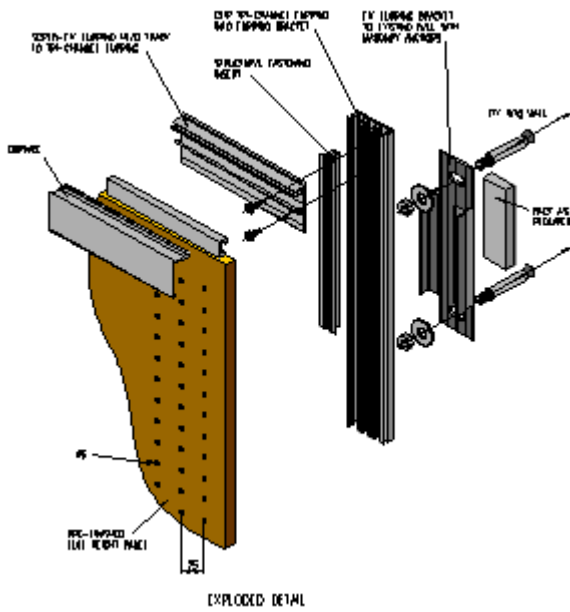




## "NCO" Timber Acoustic Panel

### Installation Method

#### Installation



#### Conventional Fixing using Wood Batten

